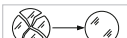


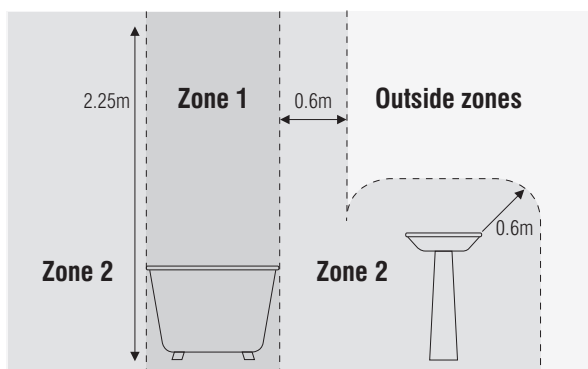
Crystal Wall Light (39629)

INSTRUCTION MANUAL

Safety Warnings

- This light fitting is double insulated (class 2) and does not require connection to an Earth circuit.**
- Please read these instructions carefully before commencing any work.
 - This unit must be fitted by a competent and qualified electrician.
 - Install in accordance with IEE Wiring regulations and current Building Regulations.
 - To prevent electrocution switch off at mains supply before installing or maintaining this fitting. Ensure other persons cannot restore the electrical supply without your knowledge.
 - This light fitting should be connected to a fused circuit.
 - If replacing an existing fitting, make a careful note of the connections.
 - Always use the correct type and wattage bulb. Exceeding the bulb wattage will damage the product.
 - This product is suitable for dimming when used in conjunction with a dimmable lamp. Please ensure verification of dimming abilities with the lamp manufacture prior to use.
 - Waste electrical products should not be disposed of with household waste. Please recycle where facilities exist. Check with your local authority or retailer for recycling advice.
 - Do not install a bulb with a greater wattage or different shape than specified on the label. Dispose of used bulbs carefully and responsibly. When changing a bulb, always switch off at the mains and allow the old bulb to cool down before handling.
 - Clean with a dry cloth only. Do not use liquid or abrasive cleaners on this product, and allow 10 minutes to cool before replacing adjusting or cleaning.
 - If any modification is made it will invalidate the warranty and may render the product unsafe.
 - This product is not suitable for location in or near a marine or sea environment.
 - This product is rated at IP44.
 - If the glass or diffuser is broken or cracked it must be replaced, please consult your retailer. This is the symbol which denotes this requirement: 

Zone Information



This product has special protection against the ingress of moisture and is IP44 rated. This product is suitable for use in Zone 1, Zone 2, and outside Zones of a bathroom. If fitting in a bathroom a 30mA RCD must be fitted in accordance with IEE wiring regulations.

Assembly/ User Instructions

The Light pack contains:

Light fitting.
Terminal connection block(s).
Fixing pack.

The following tools may be required:

Selection of cross and flat head screwdrivers.
Electric drill and assorted drill bits.
Wire strippers.
Electrical insulation tape.

Assembly/ User Instructions Continued

These assembly diagrams are intended as a guide – if in doubt consult a qualified electrician.

Layout

- Plan the desired layout of this fitting carefully, ensuring the cables will reach the distance between the junction box and the light fitting.
- Avoid locating any cables in positions that would cause a hazard. Position cables and junction boxes (not supplied) away from areas where they may be at risk from being cut, trapped or damaged.
- The mains supply cable must have a minimum cross sectional area of 1.0mm².
- Cables in walls must be protected using suitable conduit or plastic trunking.
- This product must be mounted out of arms reach.
- This product has special protection against the ingress of moisture and is IP44 rated.

Installation

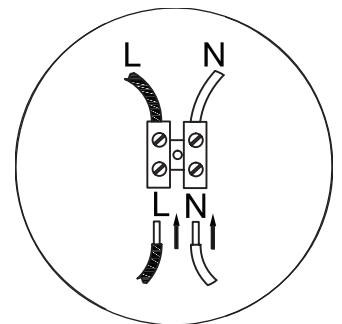
Existing fittings must be completely removed before installation of a new product. Before removing the existing fitting, **carefully note the position of each set of wires.**

- Undo the finials and remove the wall bracket from the product and set aside.
- Using the wall bracket as a template, hold in place and mark the position of the holes.
- Ensure the wall is capable of holding the weight of the product. Take care to avoid damaging any concealed wiring and pipes. The correct fixings should be used.
- Fit the wall bracket in position
- Wire as detailed below.

Wiring

Having correctly identified the wiring from your existing light fitting, pull the wire through the hole and connect to the connection block inside the product in the following way:

This unit is double insulated and must not be earthed. If there are any incoming earth cables, they must be joined together and well insulated with good quality insulation tape. This is to ensure earth continuity throughout your property.

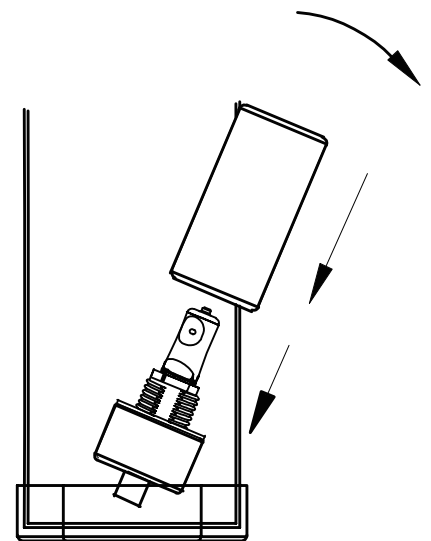


Check that...

- You have correctly identified the wires
- The connections are tight
- No loose strands have been left out of the connection block.

Commissioning

- Wrap the earth connection in two layers of insulation tape, and push this into the wall cavity.
- Fit the product onto the wall back and tighten the finials to secure. Take care not to trap any wiring.
- **The lampholders are adjustable. Gently move them sideways to fit each bulb and cover. See diagram to the right.**
- Remove the top and bottom end caps by removing the supplied screws. Set aside for refitting later.
- Fit the crystals by aligning the metal tag up with the slot on the front and folding the tag over into the slot on the rear. See diagram below.
- Refit end caps and screws using screws set aside earlier.
- Replace fuse or circuit breaker and switch on. Your light is now ready for use.



Fitting/replacing bulbs

- When changing a bulb, always switch off at the mains and allow the bulb to cool before handling. Used bulbs should not be disposed of with household waste. Please recycle where facilities exist.
- Always use the correct type and wattage bulb. Using the incorrect wattage bulb will damage the product.
- Use a soft cloth to handle bulbs, avoid directly touching the bulbs as this will shorten their life.
- Undo the top screw and remove the end cap, set aside.
- Undo the two large screws holding the crystal frame in place, pull the frame and crystals forward and ,move the lampholders sideways to access the bulb. Remove the cover and exhausted bulb
- Push the new bulb in. Refit the bulb cover. Move the lampholder and frame back into place and refit the screws.
- Adjust the position of the crystals if necessary. Refit the top cap.

